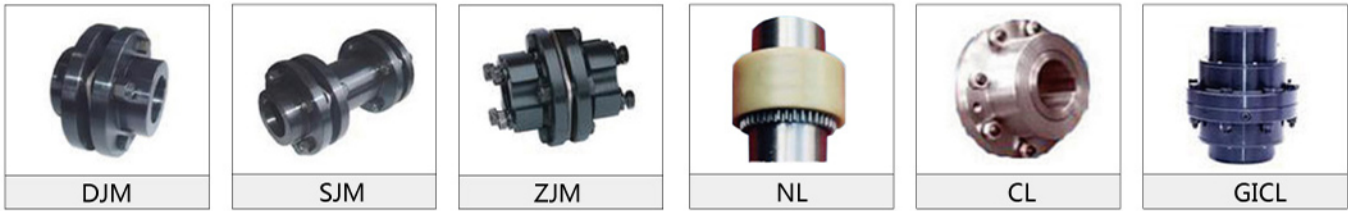
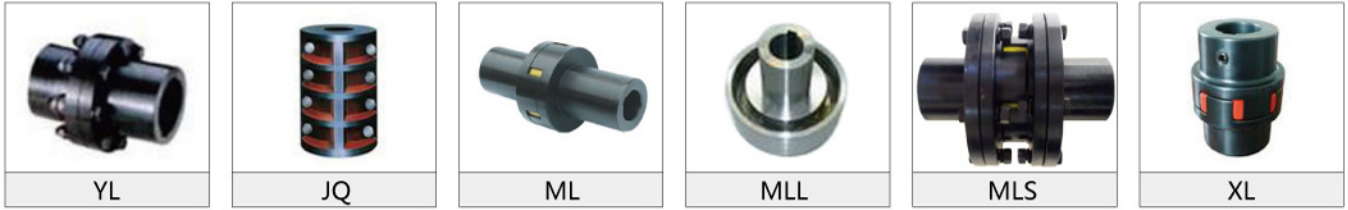


上海松铭传动机械有限公司
SHANGHAI SONGMING TRANSMISSION MACHINERY CO.,LTD

PULLEYS & TAPER BUSHES



联轴器系列

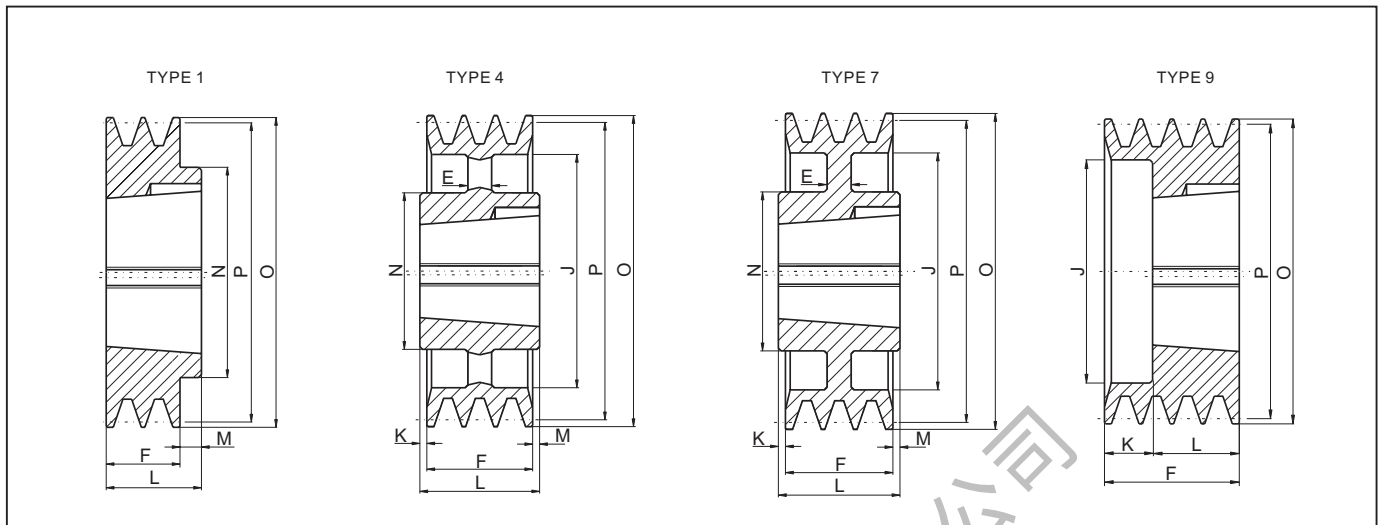


联轴器系列



V-Belt Pulleys For Taper Bushes

SPA/1

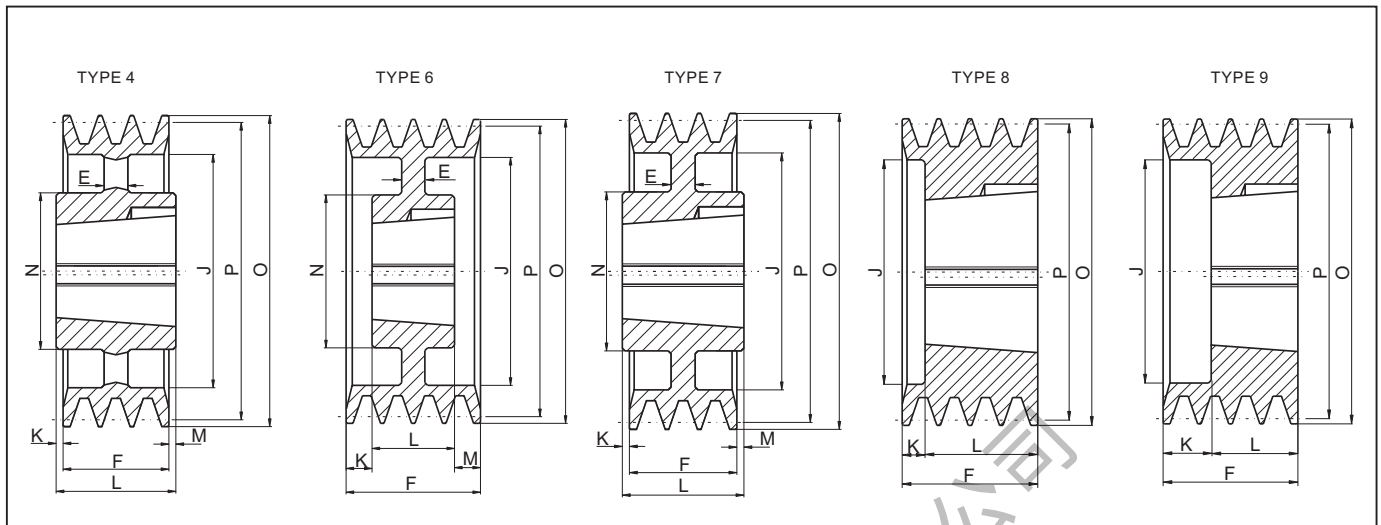


SPA/1

Type	Grooves	P	O	Type	Bush	Max Bore	E	F	J	K	L	M	N
SPA 63-01	1	63	68.5	9	1108	28	-	40	30	18	22	-	-
SPA 67-01	1	67	72.5	1	1108	28	-	20	38	-	22	2	62
SPA 71-01	1	71	76.5	1	1108	28	-	20	-	-	22	2	62
SPA 75-01	1	75	80.5	1	1108	28	-	20	-	-	22	2	62
SPA 80-01	1	80	85.5	1	1210	32	-	20	-	-	25	5	75
SPA 85-01	1	85	90.5	1	1210	32	-	20	-	-	25	5	75
SPA 90-01	1	90	95.5	1	1210	32	-	20	-	-	25	5	75
SPA 95-01	1	95	100.5	1	1210	32	-	20	-	-	25	5	75
SPA 100-01	1	100	105.5	1	1610	42	-	20	-	-	25	5	80
SPA 106-01	1	106	111.5	1	1610	42	-	20	-	-	25	5	80
SPA 112-01	1	112	117.5	1	1610	42	-	20	-	-	25	5	80
SPA 118-01	1	118	123.5	1	1610	42	-	20	-	-	25	5	80
SPA 125-01	1	125	130.5	1	1610	42	-	20	-	-	25	5	80
SPA 132-01	1	132	137.5	1	1610	42	-	20	-	-	25	5	80
SPA 140-01	1	140	145.5	7	1610	42	-	20	110	-	25	5	80
SPA 150-01	1	150	155.5	7	1610	42	-	20	118	-	25	5	80
SPA 160-01	1	160	165.5	7	1610	42	-	20	128	-	25	5	80
SPA 170-01	1	170	175.5	7	1610	42	-	20	138	-	25	5	80
SPA 180-01	1	180	185.5	7	1610	42	-	20	148	-	25	5	80
SPA 190-01	1	190	195.5	7	1610	42	-	20	158	-	25	5	80
SPA 200-01	1	200	205.5	7	2012	50	10	20	165	-	32	12	100
SPA 212-01	1	212	217.5	7	2012	50	10	20	177	-	32	12	100
SPA 224-01	1	224	229.5	4	2012	50	10	20	189	-	32	12	100
SPA 250-01	1	250	255.5	4	2012	50	10	20	215	-	32	12	100
SPA 280-01	1	280	285.5	4	2012	50	10	20	245	-	32	12	100
SPA 315-01	1	315	320.5	4	2012	50	-	20	280	-	32	12	100
SPA 355-01	1	355	360.5	4	2012	50	-	20	320	-	32	12	100
SPA 400-01	1	400	405.5	4	2012	50	-	20	365	-	32	12	100
SPA 450-01	1	450	455.5	4	2012	50	-	20	415	-	32	12	100
SPA 500-01	1	500	505.5	4	2517	60	-	20	465	-	45	25	120
SPA 630-01	1	630	635.5	4	2517	60	-	20	595	-	45	25	120

V-Belt Pulleys For Taper Bushes

SPA/2

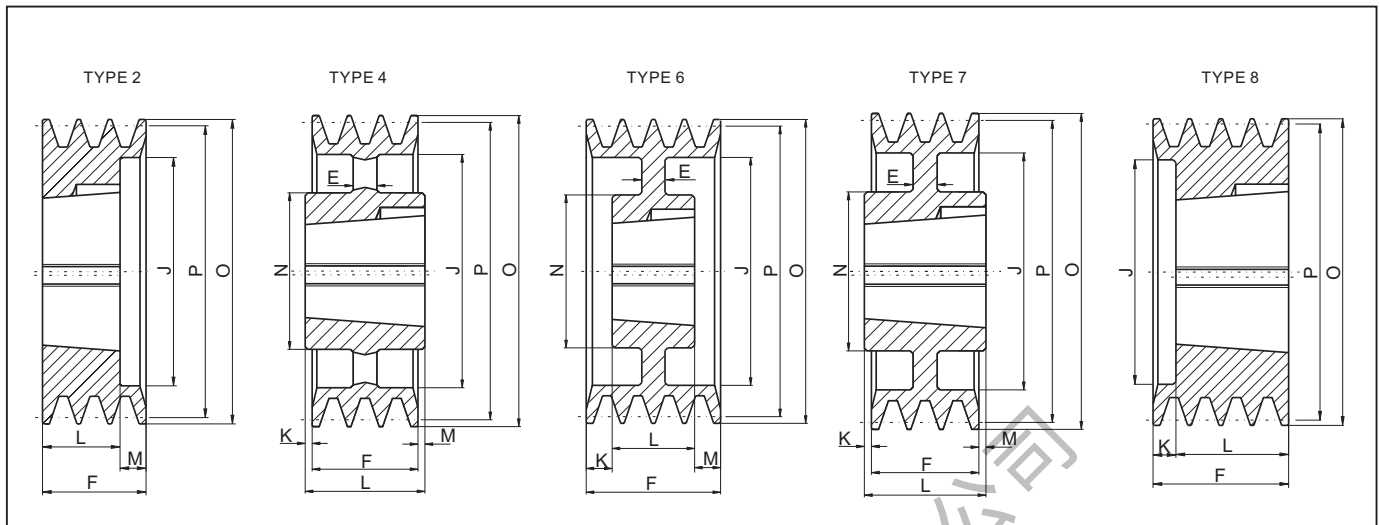


SPA/2

Type	Grooves	P	O	Type	Bush	Max Bore	E	F	J	K	L	M	N
SPA 63-02	2	63	68.5	9	1108	28	-	55	36	33	22	-	-
SPA 67-02	2	67	72.5	8	1108	28	-	35	37	13	22	-	-
SPA 71-02	2	71	76.5	8	1108	28	-	35	40	13	22	-	-
SPA 75-02	2	75	80.5	8	1108	28	-	35	44	10	22	-	-
SPA 80-02	2	80	85.5	8	1210	32	-	35	47	10	25	-	-
SPA 85-02	2	85	90.5	8	1210	32	-	35	50	10	25	-	-
SPA 90-02	2	90	95.5	8	1610	42	-	35	60	10	25	-	-
SPA 95-02	2	95	100.5	8	1610	42	-	35	64	10	25	-	-
SPA 100-02	2	100	105.5	8	1610	42	-	35	70	10	25	-	-
SPA 106-02	2	106	111.5	8	1610	42	-	35	76	10	25	-	-
SPA 112-02	2	112	117.5	8	1610	42	-	35	80	10	25	-	-
SPA 118-02	2	118	123.5	8	1610	42	-	35	86	10	25	-	-
SPA 125-02	2	125	130.5	8	1610	42	-	35	90	10	25	-	-
SPA 132-02	2	132	137.5	8	2012	50	-	35	98	3	32	-	-
SPA 140-02	2	140	145.5	8	2012	50	-	35	106	3	32	-	-
SPA 150-02	2	150	155.5	8	2012	50	-	35	116	3	32	-	-
SPA 160-02	2	160	165.5	8	2012	50	-	35	125	3	32	-	-
SPA 170-02	2	170	175.5	6	2012	50	-	35	135	3	32	-	-
SPA 180-02	2	180	185.5	6	2012	50	15	35	148	1,5	32	1,5	100
SPA 190-02	2	190	195.5	6	2012	50	15	35	158	1,5	32	1,5	100
SPA 200-02	2	200	205.5	7	2517	60	15	35	165	5	45	5	120
SPA 212-02	2	212	217.5	7	2517	60	15	35	177	5	45	5	120
SPA 224-02	2	224	229.5	7	2517	60	15	35	189	5	45	5	120
SPA 250-02	2	250	255.5	4	2517	60	20	35	215	5	45	5	120
SPA 280-02	2	280	285.5	4	2517	60	20	35	245	-	45	10	120
SPA 315-02	2	315	320.5	4	2517	60	-	35	280	-	45	10	120
SPA 355-02	2	355	360.5	4	2517	60	-	35	320	-	45	10	120
SPA 400-02	2	400	405.5	4	2517	60	-	35	365	-	45	10	120
SPA 450-02	2	450	455.5	4	2517	60	-	35	405	-	45	10	120
SPA 500-02	2	500	505.5	4	2517	60	-	35	465	-	45	10	120
SPA 630-02	2	630	635.5	4	3020	75	-	35	595	-	51	16	150

V-Belt Pulleys For Taper Bushes

SPA/3

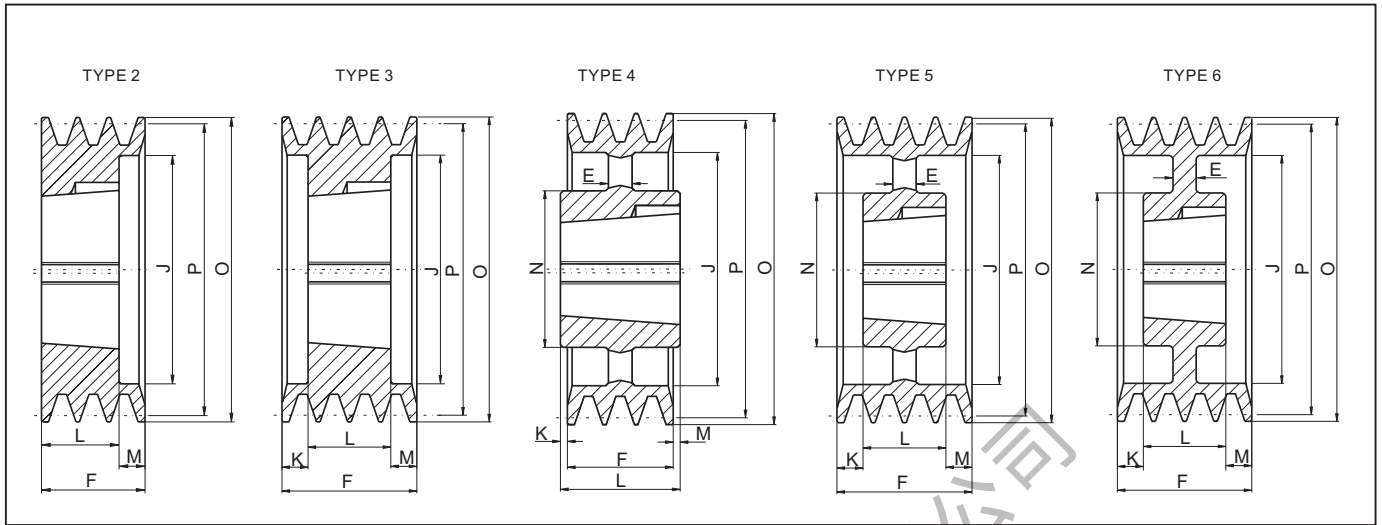


SPA/3

Type	Grooves	P	O	Type	Bush	Max Bore	E	F	J	K	L	M	N
SPA 71-03	3	71	76.5	8	1108	28	-	50	40	28	22	-	-
SPA 75-03	3	75	80.5	8	1108	32	-	50	44	25	25	-	-
SPA 80-03	3	80	85.5	8	1210	32	-	50	47	25	25	-	-
SPA 85-03	3	85	90.5	8	1210	32	-	50	50	25	25	-	-
SPA 90-03	3	90	95.5	8	1610	42	-	50	60	25	25	-	-
SPA 95-03	3	95	100.5	8	1610	42	-	50	64	25	25	-	-
SPA 100-03	3	100	105.5	2	1610	42	-	50	70	-	25	25	-
SPA 106-03	3	106	111.5	2	1610	42	-	50	76	-	25	25	-
SPA 112-03	3	112	117.5	8	2012	50	-	50	83	18	32	-	-
SPA 118-03	3	118	123.5	2	2012	50	-	50	86	-	32	18	-
SPA 125-03	3	125	130.5	2	2012	50	-	50	92	-	32	18	-
SPA 132-03	3	132	137.5	2	2012	50	-	50	98	-	32	18	-
SPA 140-03	3	140	145.5	8	2517	60	-	50	106	5	45	-	-
SPA 150-03	3	150	155.5	8	2517	60	-	50	116	5	45	-	-
SPA 160-03	3	160	165.5	8	2517	60	-	50	126	5	45	-	-
SPA 170-03	3	170	175.5	8	2517	60	-	50	138	5	45	-	-
SPA 180-03	3	180	185.5	8	2517	60	-	50	146	5	45	-	-
SPA 190-03	3	190	195.5	6	2517	60	-	50	158	5	45	-	-
SPA 200-03	3	200	205.5	6	2517	60	20	50	165	2.5	45	2.5	120
SPA 212-03	3	212	217.5	6	2517	60	20	50	177	2.5	45	2.5	120
SPA 224-03	3	224	229.5	6	2517	60	20	50	189	2.5	45	2.5	120
SPA 250-03	3	250	255.5	5	2517	60	20	50	215	2.5	45	2.5	120
SPA 280-03	3	280	285.5	5	2517	60	20	50	245	2.5	45	2.5	120
SPA 315-03	3	315	320.5	4	3020	75	25	50	280	0.5	51	0.5	150
SPA 355-03	3	355	360.5	4	3020	75	-	50	320	0.5	51	0.5	150
SPA 400-03	3	400	405.5	4	3020	75	-	50	365	0.5	51	0.5	150
SPA 450-03	3	450	455.5	4	3020	75	-	50	415	0.5	51	0.5	150
SPA 500-03	3	500	505.5	4	3020	75	-	50	465	0.5	51	0.5	150
SPA 560-03	3	560	565.5	4	3020	75	-	50	525	0.5	51	0.5	150
SPA 630-03	3	630	635.5	4	3020	75	-	50	595	0.5	51	0.5	150
SPA 800-03	3	800	805.5	4	3535	90	-	50	765	19.5	89	19.5	170
SPA 1000-03	3	1000	1005.5	4	3535	90	-	50	965	19.5	89	19.5	170

V-Belt Pulleys For Taper Bushes

SPA/4

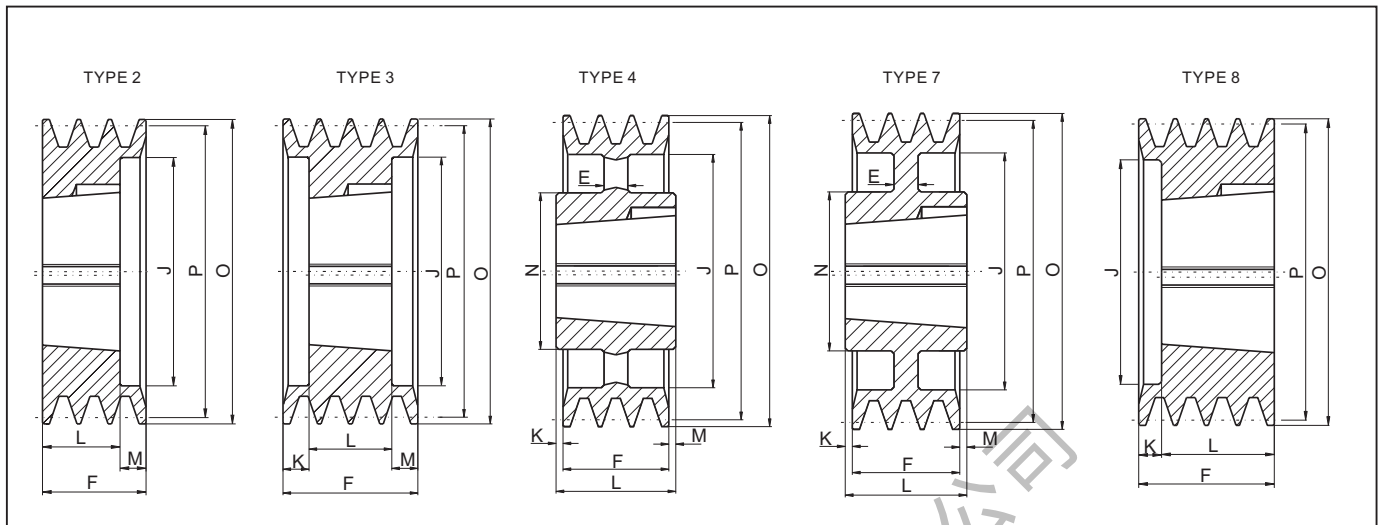


SPA/4

Type	Grooves	P	O	Type	Bush	Max Bore	E	F	J	K	L	M	N
SPA 90-04	4	90	95.5	3	1615	42	-	65	64	13.5	38	13.5	-
SPA 95-04	4	95	100.5	3	1615	42	-	65	64	13.5	38	13.5	-
SPA 100-04	4	100	105.5	2	1615	42	-	65	70	-	38	27	-
SPA 106-04	4	106	111.5	8	2012	50	-	65	76	33	32	-	-
SPA 112-04	4	112	117.5	8	2012	50	-	65	80	33	32	-	-
SPA 118-04	4	118	123.5	2	2012	50	-	65	86	-	32	33	-
SPA 125-04	4	125	130.5	2	2012	50	-	65	92	-	32	33	-
SPA 132-04	4	132	137.5	2	2517	60	-	65	98	-	45	20	-
SPA 140-04	4	140	145.5	2	2517	60	-	65	106	-	45	20	-
SPA 150-04	4	150	155.5	2	2517	60	-	65	116	-	45	20	-
SPA 160-04	4	160	165.5	2	2517	60	-	65	126	-	45	20	-
SPA 170-04	4	170	175.5	2	2517	60	-	65	138	-	45	20	-
SPA 180-04	4	180	185.5	2	2517	60	-	65	146	-	45	20	-
SPA 190-04	4	190	195.5	6	2517	60	-	65	158	-	45	20	-
SPA 200-04	4	200	205.5	2	3020	75	-	65	165	-	51	14	-
SPA 212-04	4	212	217.5	2	3020	75	-	65	177	-	51	14	-
SPA 224-04	4	224	229.5	6	3020	75	-	65	189	-	51	14	-
SPA 250-04	4	250	255.5	6	3020	75	10	65	215	7	51	7	150
SPA 280-04	4	280	285.5	6	3020	75	10	65	245	7	51	7	150
SPA 315-04	4	315	320.5	6	3020	75	10	65	280	7	51	7	150
SPA 355-04	4	355	360.5	5	3020	75	-	65	320	7	51	7	150
SPA 400-04	4	400	405.5	5	3020	75	-	65	365	7	51	7	150
SPA 450-04	4	450	455.5	5	3020	75	-	65	415	7	51	7	150
SPA 500-04	4	500	505.5	5	3020	75	-	65	465	7	51	7	150
SPA 560-04	4	560	565.5	4	3535	90	-	65	525	12	89	12	170
SPA 630-04	4	630	635.5	4	3535	90	-	65	595	12	89	12	170
SPA 800-04	4	800	805.5	4	3535	90	-	65	765	12	89	12	170
SPA 1000-04	4	1000	1005.5	4	4040	90	-	65	965	18.5	102	18.5	200

V-Belt Pulleys For Taper Bushes

SPA/5

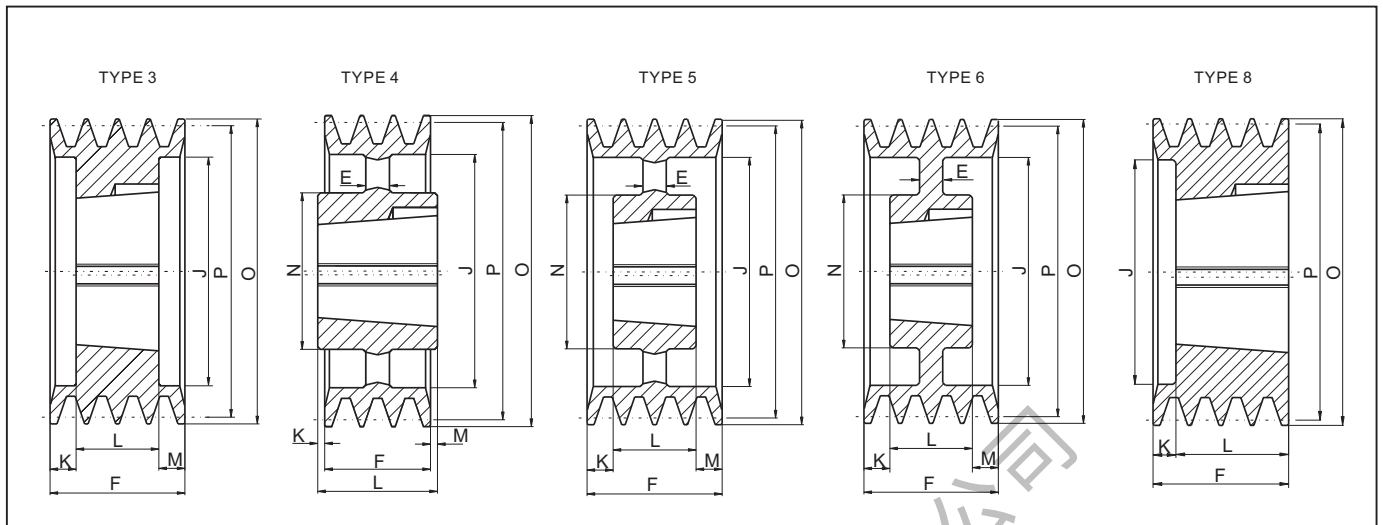


SPA/5

Type	Grooves	P	O	Type	Bush	Max Bore	E	F	J	K	L	M	N
SPA 100-05	5	100	105.5	2	1615	42	-	80	70	-	38	42	-
SPA 106-05	5	106	111.5	8	2012	50	-	80	76	48	32	-	-
SPA 112-05	5	112	117.5	8	2012	50	-	80	80	48	32	-	-
SPA 118-05	5	118	123.5	2	2012	50	-	80	86	-	32	48	-
SPA 125-05	5	125	130.5	3	2012	50	-	80	92	24	32	24	-
SPA 132-05	5	132	137.5	3	2517	60	-	80	98	17.5	45	17.5	-
SPA 140-05	5	140	145.5	3	2517	60	-	80	106	17.5	45	17.5	-
SPA 150-05	5	150	155.5	3	2517	60	-	80	116	17.5	45	17.5	-
SPA 160-05	5	160	165.5	3	2517	60	-	80	126	17.5	45	17.5	-
SPA 170-05	5	170	175.5	3	2517	75	-	80	146	17.5	45	17.5	-
SPA 180-05	5	180	185.5	3	3020	75	-	80	146	14.5	51	14.5	-
SPA 190-05	5	190	195.5	3	3020	75	-	80	156	14.5	51	14.5	-
SPA 200-05	5	200	205.5	3	3020	75	-	80	165	14.5	51	14.5	-
SPA 212-05	5	212	217.5	2	3020	75	-	80	177	-	51	29	-
SPA 224-05	5	224	229.5	6	3020	75	-	80	189	-	51	29	-
SPA 250-05	5	250	255.5	6	3020	75	10	80	215	14.5	51	14.5	150
SPA 280-05	5	280	285.5	7	3535	90	10	80	245	4.5	89	4.5	170
SPA 315-05	5	315	320.5	4	3535	90	12	80	280	4.5	89	4.5	170
SPA 355-05	5	355	360.5	4	3535	90	-	80	320	4.5	89	4.5	170
SPA 400-05	5	400	405.5	4	3535	90	-	80	365	4.5	89	4.5	170
SPA 450-05	5	450	455.5	4	3535	90	-	80	415	4.5	89	4.5	170
SPA 500-05	5	500	505.5	4	3535	90	-	80	465	4.5	89	4.5	170
SPA 560-05	5	560	565.5	4	3535	90	-	80	525	4.5	89	4.5	170
SPA 630-05	5	630	635.5	4	3535	90	-	80	595	4.5	89	4.5	170
SPA 800-05	5	800	805.5	4	4040	100	-	80	765	11	102	11	200
SPA 1000-05	5	1000	1005.5	4	4545	110	-	80	965	17	114	17	225

V-Belt Pulleys For Taper Bushes

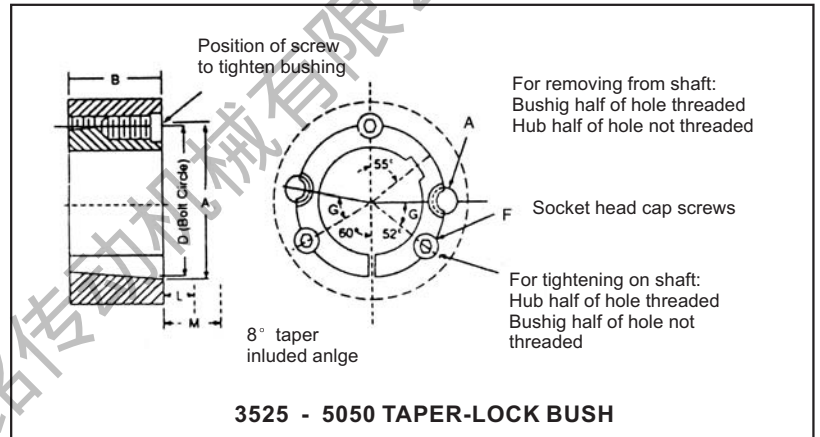
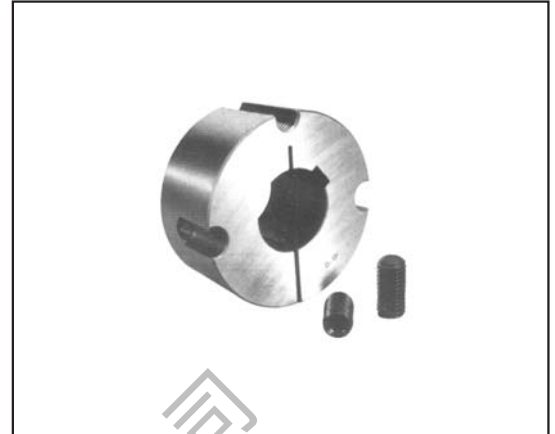
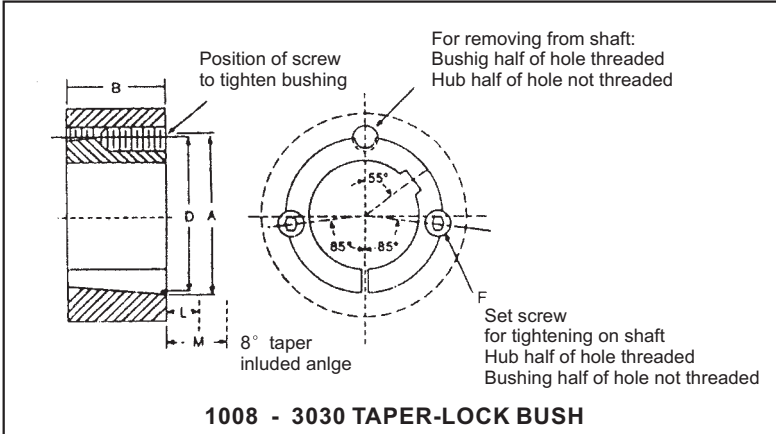
SPA/6



SPA/6

Type	Grooves	P	O	Type	Bush	Max Bore	E	F	J	K	L	M	N
SPA100-06	6	100	105,5	3	1615	42	-	95	70	28,5	38	28,5	-
SPA106-06	6	106	111,5	8	2012	50	-	95	76	63	32	-	-
SPA112-06	6	112	117,5	8	2012	50	-	95	80	63	32	-	-
SPA118-06	6	118	123,5	8	2012	50	-	95	86	63	32	-	-
SPA125-06	6	125	130,5	3	2012	50	-	95	92	31,5	32	31,5	-
SPA132-06	6	132	137,5	3	2517	60	-	95	98	25	45	25	-
SPA140-06	6	140	145,5	3	2517	60	-	95	106	25	45	25	-
SPA150-06	6	150	155,5	3	2517	60	-	95	116	25	45	25	-
SPA160-06	6	160	165,5	3	2517	60	-	95	126	25	45	25	-
SPA180-06	6	180	185,5	3	3020	75	-	95	146	22	51	22	-
SPA200-06	6	200	205,5	3	3020	75	-	95	165	22	51	22	-
SPA224-06	6	224	229,5	6	3020	75	-	95	189	22	51	22	-
SPA250-06	6	250	255,5	6	3020	75	20	95	215	22	51	22	150
SPA280-06	6	280	285,5	6	3535	90	25	95	245	3	89	3	170
SPA315-06	6	315	320,5	6	3535	90	25	95	280	3	89	3	170
SPA355-06	6	355	360,5	5	3535	90	-	95	320	3	89	3	170
SPA400-06	6	400	405,5	5	3535	90	-	95	365	3	89	3	170
SPA450-06	6	450	455,5	5	3535	90	-	95	415	3	89	3	170
SPA500-06	6	500	505,5	5	3535	90	-	95	465	3	89	3	170
SPA560-06	6	560	565,5	5	3535	90	-	95	525	3	89	3	170
SPA630-06	6	630	635,5	4	4040	100	-	95	595	3,5	102	3,5	200
SPA800-06	6	800	805,5	4	4040	100	-	95	765	3,5	102	3,5	200
SPA1000-06	6	1000	1005,5	4	4545	110	-	95	965	9,5	114	9,5	225

Taper Bushings

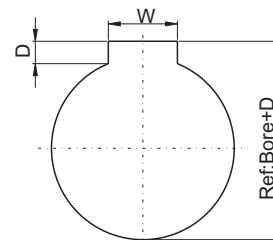


Dimensions for 1008 thru 3030 TAPER Bushings

Bush.No.	A	B	D	Set Screws
1008	1.386	7/8	121/64	1/4x1/2
1108	1.511	7/8	129/64	1/4x1/2
1210	17/8	1	13/4	3/8x5/8
1215	17/8	1 1/2	13/4	3/8x5/8
1310	2	1	17/8	3/8x5/8
1610	2 1/4	1	2 1/8	3/8x5/8
1615	2 1/4	1 1/2	2 1/8	3/8x5/8
2012	23/4	1 1/4	25/8	7/16x7/8
2017	23/4	1 3/4	25/8	7/16x7/8
2517	33/8	1 3/4	3 1/4	1/2x1
2525	33/8	2 1/2	3 1/4	1/2x1
3020	4 1/4	2	4	5/8x1 1/4
3030	4 1/4	3	4	5/8x1 1/4

Dimensions for 3535 thru 5050 TAPER Bushings

Bush.No.	A	B	D	Socket Head Cap Screws	G
3535	5	3 1/2	4.83	1/2x1 1/2	40
4040	5 3/4	4	5.54	5/8x1 3/4	40
4545	6 3/8	4 1/2	6.13	3/4x2	40
5050	7	5	6.72	7/8x2 1/4	37



ISO STANDARD METHOD
FOR MEASURING KEYSEAT DEPTH
D: depth measured at centering

MM Bore Key way dimensions conform to ISO standard

CLOSE GRAIN CAST IRON

Taper bushings made of steel or stainless steel are available as made to order.

Taper Bushing Keyway

TAPER BUSHING KEYWAY

DIN 6885
JIS B 1301-1976
UNI 6604-1969
GB 1095-1979

Bush. No.	Bore	Bushing Keyway	Bush. No.	Bore	Bushing Keyway	Bush. No.	Bore	Bushing Keyway	Bush. No.	Bore	Bushing Keyway	Bush. No.	Bore	Bushing Keyway	Bush. No.	Bore	Bushing Keyway
1008	10	3×1.40	1610	14	5×2.30	2517	20	6×2.80	3020	25	8×3.30	3535	35	10×3.30	4545	55	16×4.30
	11	4×1.80		16	5×2.30		22	6×2.80		28	8×3.30		38	10×3.30		60	18×4.40
	12	4×1.80		18	6×2.80		24	8×3.30		30	10×3.30		40	12×3.30		65	20×4.90
	14	5×2.30		19	6×2.80		25	8×3.30		35	10×3.30		42	12×3.30		70	20×4.90
	16	5×2.30		20	6×2.80		28	8×3.30		38	10×3.30		45	14×3.80		75	25×5.40
	18	6×2.80		22	6×2.80		30	8×3.30		40	12×3.30		48	14×3.80		80	22×5.40
	19	6×2.80		24	8×3.30		32	10×3.30		42	12×3.30		50	14×3.80		85	22×5.40
	20	6×2.80		25	8×3.30		35	10×3.30		45	14×3.80		55	16×4.30		90	25×5.40
	22	6×2.80		28	8×3.30		38	10×3.30		48	14×3.80		60	18×4.40		95	25×5.40
	24	8×2.00		30	8×3.30		40	12×3.30		50	14×3.80		65	18×4.40		105	28×6.40
25	8×1.30	32	10×3.30	42	12×3.30	55	16×4.30	70	20×4.90	110	28×6.40						
1108	10	3×1.40	1615	14	5×2.30	2517	20	6×2.80	3020	25	8×3.30	3535	35	10×3.30	4545	55	16×4.30
	11	4×1.80		16	5×2.30		22	6×2.80		28	8×3.30		38	10×3.30		60	18×4.40
	12	4×1.80		18	6×2.80		24	8×3.30		30	10×3.30		40	12×3.30		65	20×4.90
	14	5×2.30		19	6×2.80		25	8×3.30		35	10×3.30		42	12×3.30		70	20×4.90
	16	5×2.30		20	6×2.80		28	8×3.30		38	10×3.30		45	14×3.80		75	25×5.40
	18	6×2.80		22	6×2.80		30	8×3.30		40	12×3.30		48	14×3.80		80	22×5.40
	19	6×2.80		24	8×3.30		32	10×3.30		42	12×3.30		50	14×3.80		85	22×5.40
	20	6×2.80		25	8×3.30		35	10×3.30		45	14×3.80		55	16×4.30		90	25×5.40
	22	6×2.80		28	8×3.30		38	10×3.30		48	14×3.80		60	18×4.40		95	25×5.40
	24	8×3.30		30	8×3.30		40	12×3.30		50	14×3.80		65	18×4.40		105	28×6.40
28	8×3.30	32	10×3.30	42	12×3.30	55	16×4.30	70	20×4.90	110	28×6.40						
1210	11	4×1.80	1615	14	5×2.30	2517	20	6×2.80	3020	25	8×3.30	3535	35	10×3.30	4545	55	16×4.30
	12	4×1.80		16	5×2.30		22	6×2.80		28	8×3.30		38	10×3.30		60	18×4.40
	14	5×2.30		18	6×2.80		24	8×3.30		30	10×3.30		40	12×3.30		65	20×4.90
	16	5×2.30		19	6×2.80		25	8×3.30		35	10×3.30		42	12×3.30		70	20×4.90
	18	6×2.80		20	6×2.80		28	8×3.30		38	10×3.30		45	14×3.80		75	25×5.40
	19	6×2.80		22	6×2.80		30	8×3.30		40	12×3.30		48	14×3.80		80	22×5.40
	20	6×2.80		24	8×3.30		32	10×3.30		42	12×3.30		50	14×3.80		85	22×5.40
	22	6×2.80		25	8×3.30		35	10×3.30		45	14×3.80		55	16×4.30		90	25×5.40
	24	8×3.30		28	8×3.30		38	10×3.30		48	14×3.80		60	18×4.40		95	25×5.40
	28	8×3.30		30	8×3.30		40	12×3.30		50	14×3.80		65	18×4.40		105	28×6.40
32	10×3.30	32	10×3.30	42	12×3.30	55	16×4.30	70	20×4.90	110	28×6.40						
1215	11	4×1.80	2012	14	5×2.30	2525	20	6×2.80	3030	25	8×3.30	4040	35	10×3.30	5050	55	16×4.30
	12	4×1.80		16	5×2.30		22	6×2.80		28	8×3.30		38	10×3.30		60	18×4.40
	14	5×2.30		18	6×2.80		24	8×3.30		30	10×3.30		40	12×3.30		65	20×4.90
	16	5×2.30		19	6×2.80		25	8×3.30		35	10×3.30		42	12×3.30		70	20×4.90
	18	6×2.80		20	6×2.80		28	8×3.30		38	10×3.30		45	14×3.80		75	25×5.40
	19	6×2.80		22	6×2.80		30	8×3.30		40	12×3.30		48	14×3.80		80	22×5.40
	20	6×2.80		24	8×3.30		32	10×3.30		42	12×3.30		50	14×3.80		85	22×5.40
	22	6×2.80		25	8×3.30		35	10×3.30		45	14×3.80		55	16×4.30		90	25×5.40
	24	8×3.30		28	8×3.30		38	10×3.30		48	14×3.80		60	18×4.40		95	25×5.40
	28	8×3.30		30	8×3.30		40	12×3.30		50	14×3.80		65	18×4.40		105	28×6.40
30	8×3.30	32	10×3.30	42	12×3.30	55	16×4.30	70	20×4.90	110	28×6.40						
32	10×3.30	35	10×3.30	45	14×3.80	60	18×4.40	75	20×4.90	125	32×7.40						
1310	14	5×2.30	2012	14	5×2.30	2525	20	6×2.80	3030	25	8×3.30	4040	35	10×3.30	5050	55	16×4.30
	16	5×2.30		16	5×2.30		22	6×2.80		28	8×3.30		38	10×3.30		60	18×4.40
	18	6×2.80		18	6×2.80		24	8×3.30		30	10×3.30		40	12×3.30		65	20×4.90
	19	6×2.80		19	6×2.80		25	8×3.30		35	10×3.30		42	12×3.30		70	20×4.90
	20	6×2.80		20	6×2.80		28	8×3.30		38	10×3.30		45	14×3.80		75	25×5.40
	22	6×2.80		22	6×2.80		30	8×3.30		40	12×3.30		48	14×3.80		80	22×5.40
24	8×3.30	24	8×3.30	32	10×3.30	42	12×3.30	50	14×3.80	85	22×5.40						
25	8×3.30	25	8×3.30	35	10×3.30	45	14×3.80	55	16×4.30	90	25×5.40						
28	8×3.30	28	8×3.30	38	10×3.30	48	14×3.80	60	18×4.40	95	25×5.40						
30	8×3.30	30	8×3.30	40	12×3.30	50	14×3.80	65	18×4.40	105	28×6.40						
32	10×3.30	32	10×3.30	42	12×3.30	55	16×4.30	70	20×4.90	110	28×6.40						
35	10×3.30	35	10×3.30	45	14×3.80	60	18×4.40	75	20×4.90	125	32×7.40						

Taper Bushing Keyway

TAPER BUSHING KEYWAY

USAS B 17.1 1967
KEYS AND KEYSEATS

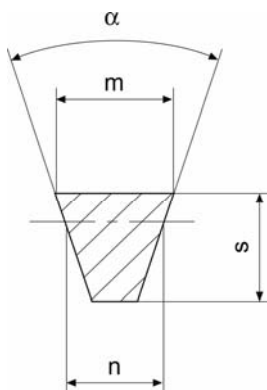
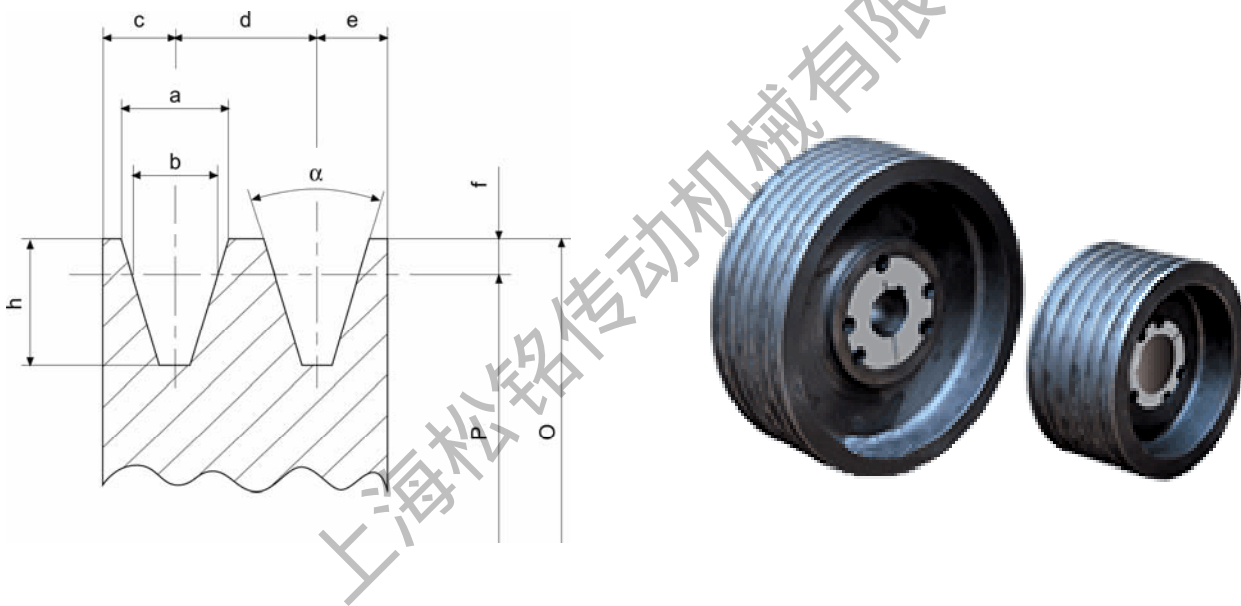
Bush. No.	Bore	Bushing Keyway	Bush. No.	Bore	Bushing Keyway	Bush. No.	Bore	Bushing Keyway	Bush. No.	Bore	Bushing Keyway	Bush. No.	Bore	Bushing Keyway	Bush. No.	Bore	Bushing Keyway						
1008	1/2 9/16	1/8 x 1/16	1610	1/2 9/16	1/8 x 1/16	2517	1/2 5/8	1/8 x 1/16	3020	7/8	3/16 x 3/32	3535	13/16 1 1/4	1/4 x 1/8	4545	115/16 2	1/2 x 1/4						
	5/8 11/16	3/16 x 3/32		5/8 11/16	3/16 x 3/32		5/8 11/16	1 1/8 1 1/4		15/16 1	1/4 x 1/8		15/16 1	5/16 x 5/32		17/16 1 1/2	3/8 x 3/16	17/8 1 15/16	1/2 x 1/4	115/16 2	3/4 x 3/8		
	3/4 13/16			3/4 13/16			3/4 13/16			3/4 13/16			3/4 13/16			3/4 13/16		13/16 7/8		13/16 7/8		19/16 1 5/8	19/16 1 5/8
	7/8	5/16 x 5/32		7/8	5/16 x 5/32		7/8	1 1/4		7/8	5/16 x 5/32		7/8	5/16 x 5/32		7/8	3/8 x 3/16	7/8	1/2 x 1/4	7/8	7/8 x 7/16		
	15/16 1			1/4 x 1/8			15/16 1			1/4 x 1/8			15/16 1			1/4 x 1/8		15/16 1		1/4 x 1/8		15/16 1	1/4 x 1/8
	11/16 1 1/8	1/4 x 1/8		11/16 1 1/8	1/4 x 1/8		11/16 1 1/8	1/4 x 1/8		11/16 1 1/8	1/4 x 1/8		11/16 1 1/8	1/4 x 1/8		11/16 1 1/8	1/4 x 1/8	11/16 1 1/8	1/4 x 1/8	11/16 1 1/8	1/4 x 1/8	11/16 1 1/8	1/4 x 1/8
	13/16 1 1/4			13/16 1 1/4			13/16 1 1/4			13/16 1 1/4			13/16 1 1/4			13/16 1 1/4		13/16 1 1/4		13/16 1 1/4		13/16 1 1/4	
	1/2 9/16	1/8 x 1/16		1615	1/2 9/16		1/8 x 1/16	2525		1/2 5/8	1/8 x 1/16		3030	7/8		3/16 x 3/32	4040	13/16 1 1/4	1/2 x 1/4	5050	115/16 2	1/2 x 1/4	
5/8 11/16	3/16 x 3/32	5/8 11/16	3/16 x 3/32		5/8 11/16	1 1/8 1 1/4	15/16 1		1/4 x 1/8	15/16 1	5/16 x 5/32	17/16 1 1/2		3/8 x 3/16	17/16 1 1/2	1/2 x 1/4		17/16 1 1/2	1 x 1/2				
3/4 13/16		3/4 13/16			3/4 13/16		3/4 13/16			3/4 13/16		3/4 13/16			3/4 13/16			3/4 13/16			3/4 13/16	3/4 13/16	3/4 13/16
7/8	5/16 x 5/32	7/8	5/16 x 5/32		7/8	1 1/4	7/8		5/16 x 5/32	7/8	5/16 x 5/32	7/8		3/4 x 3/8	7/8	1/2 x 1/4		7/8	7/8 x 7/16				
15/16 1		1/4 x 1/8			15/16 1		1/4 x 1/8			15/16 1		1/4 x 1/8			15/16 1			1/4 x 1/8			15/16 1	1/4 x 1/8	15/16 1
11/16 1 1/8	1/4 x 1/8	11/16 1 1/8	1/4 x 1/8		11/16 1 1/8	1/4 x 1/8	11/16 1 1/8		1/4 x 1/8	11/16 1 1/8	1/4 x 1/8	11/16 1 1/8		1/4 x 1/8	11/16 1 1/8	1/4 x 1/8		11/16 1 1/8	1/4 x 1/8		11/16 1 1/8	1/4 x 1/8	
13/16 1 1/4		13/16 1 1/4			13/16 1 1/4		13/16 1 1/4			13/16 1 1/4		13/16 1 1/4			13/16 1 1/4			13/16 1 1/4			13/16 1 1/4		13/16 1 1/4
1/2 9/16	1/8 x 1/16	2012	1/2 9/16		1/8 x 1/16	2530	1/2 5/8		1/8 x 1/16	3030	7/8	3/16 x 3/32		4040	13/16 1 1/4	1/2 x 1/4		5050	115/16 2		1/2 x 1/4		
5/8 11/16	3/16 x 3/32		5/8 11/16	3/16 x 3/32	5/8 11/16		1 1/8 1 1/4	15/16 1	1/4 x 1/8		15/16 1	5/16 x 5/32	17/16 1 1/2		3/8 x 3/16	17/16 1 1/2	1/2 x 1/4		17/16 1 1/2	1 x 1/2			
3/4 13/16			3/4 13/16		3/4 13/16			3/4 13/16			3/4 13/16		3/4 13/16			3/4 13/16			3/4 13/16		3/4 13/16	3/4 13/16	3/4 13/16
7/8	5/16 x 5/32		7/8	5/16 x 5/32	7/8		1 1/4	7/8	5/16 x 5/32		7/8	5/16 x 5/32	7/8		3/4 x 3/8	7/8	1/2 x 1/4		7/8	7/8 x 7/16			
15/16 1			1/4 x 1/8		15/16 1			1/4 x 1/8			15/16 1		1/4 x 1/8			15/16 1			1/4 x 1/8		15/16 1	1/4 x 1/8	15/16 1
11/16 1 1/8	1/4 x 1/8		11/16 1 1/8	1/4 x 1/8	11/16 1 1/8		1/4 x 1/8	11/16 1 1/8	1/4 x 1/8		11/16 1 1/8	1/4 x 1/8	11/16 1 1/8		1/4 x 1/8	11/16 1 1/8	1/4 x 1/8		11/16 1 1/8	1/4 x 1/8	11/16 1 1/8	1/4 x 1/8	
13/16 1 1/4			13/16 1 1/4		13/16 1 1/4			13/16 1 1/4			13/16 1 1/4		13/16 1 1/4			13/16 1 1/4			13/16 1 1/4		13/16 1 1/4		13/16 1 1/4
15/16 13/8	5/16 x 5/32		15/16 13/8	5/16 x 5/32	15/16 13/8		5/16 x 5/32	15/16 13/8	5/16 x 5/32		15/16 13/8	5/16 x 5/32	15/16 13/8		5/16 x 5/32	15/16 13/8	5/16 x 5/32		15/16 13/8	5/16 x 5/32	15/16 13/8	5/16 x 5/32	
...	
...						
...						

△-Shallow keyway

TAPER BUSHING V-BELT PULLEYS 锥孔V型皮带轮

PULLEY dimensions

PART NO.	a	b	c	d	e	f	h	α°	
								34°	38°
SPZ[mm]	9,7	8,5	8	12	8	2	11	$p \leq 80$	$P > 80$
SPA[mm]	12,7	11	10	15	10	2,8	13,8	$p \leq 118$	$P > 118$
SPB[mm]	16,3	14	12,5	19	12,5	3,5	17,5	$p \leq 190$	$P > 190$
SPC[mm]	22	19	17	25,5	17	4,8	23,8	$p \leq 315$	$P > 315$



Belt dimensions

PART NO.	m	s	n	α°	
				34°	38°
SPZ[mm]	9,7	8	8,5	$p \leq 80$	$P > 80$
SPA[mm]	12,7	10	11	$p \leq 118$	$P > 118$
SPB[mm]	16	13	14	$p \leq 190$	$P > 190$
SPC[mm]	22	18	19	$p \leq 315$	$P > 315$